

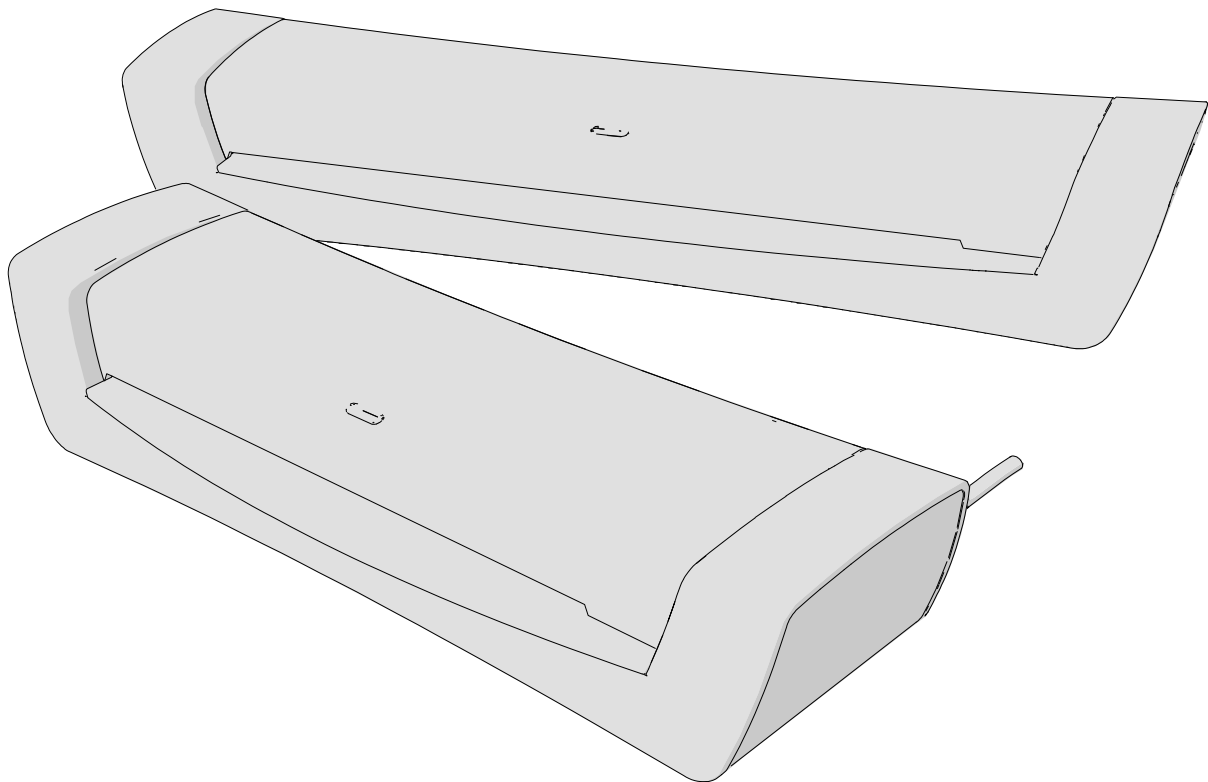


LEITZ iLAM

LAMINATOR

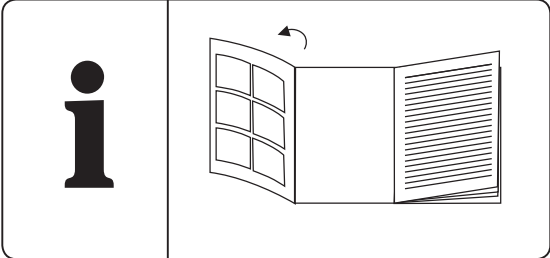
HOME OFFICE A4/A3

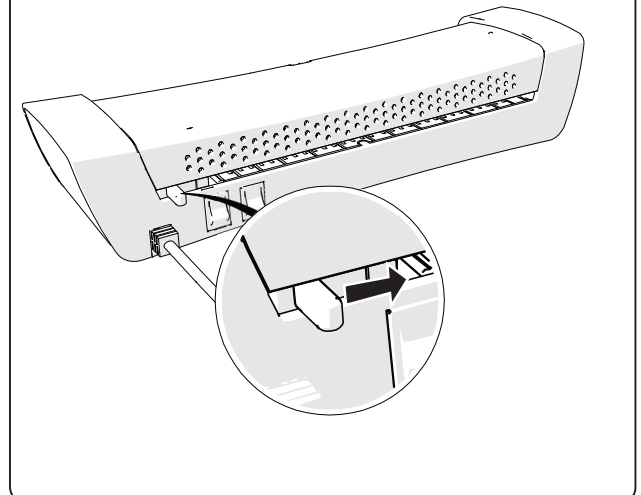
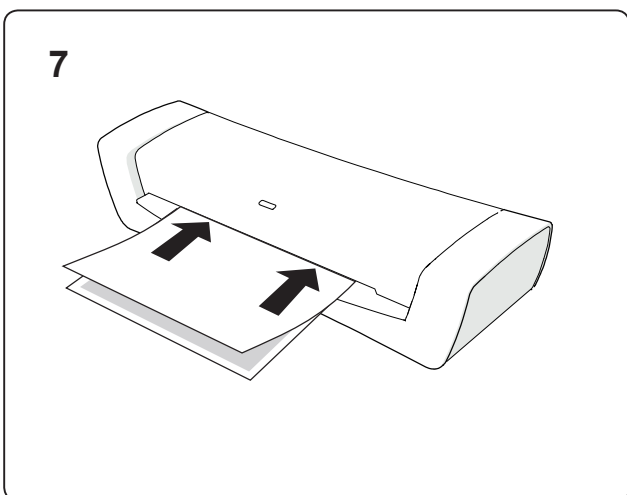
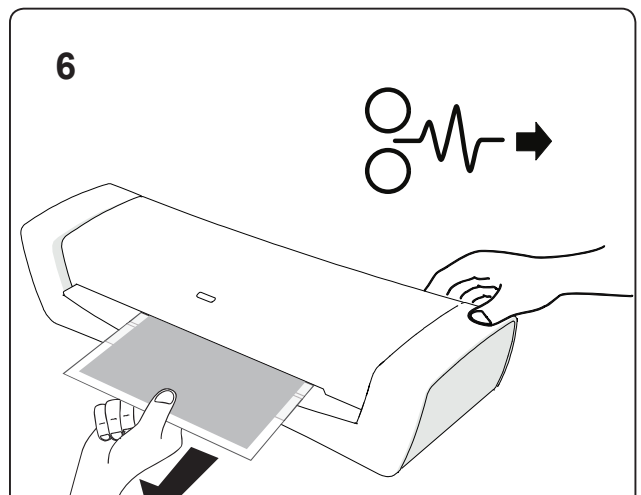
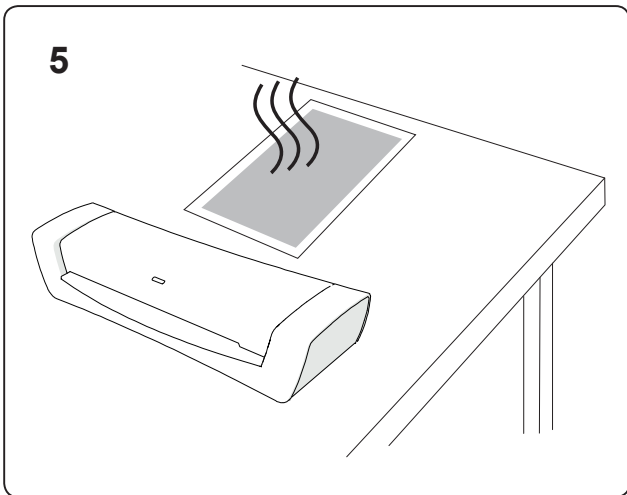
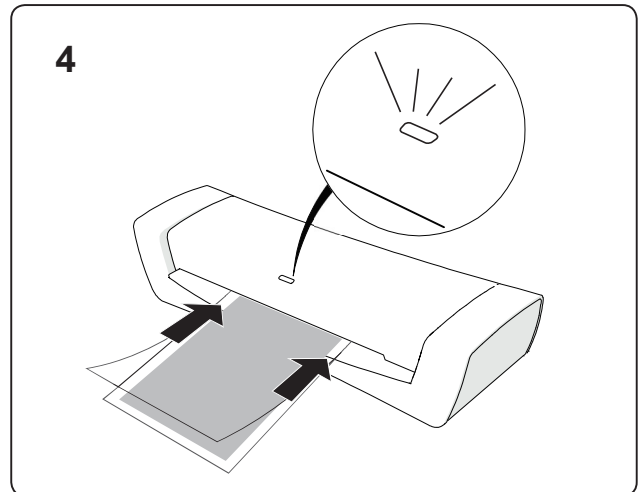
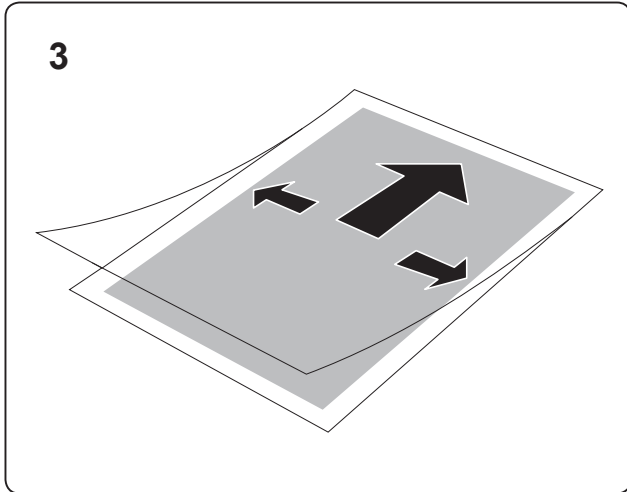
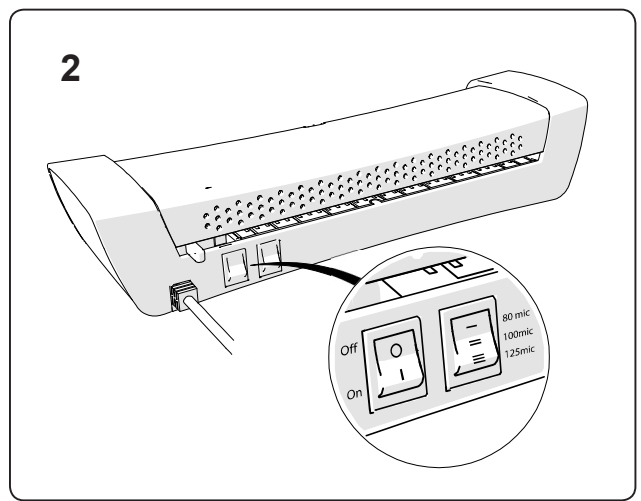
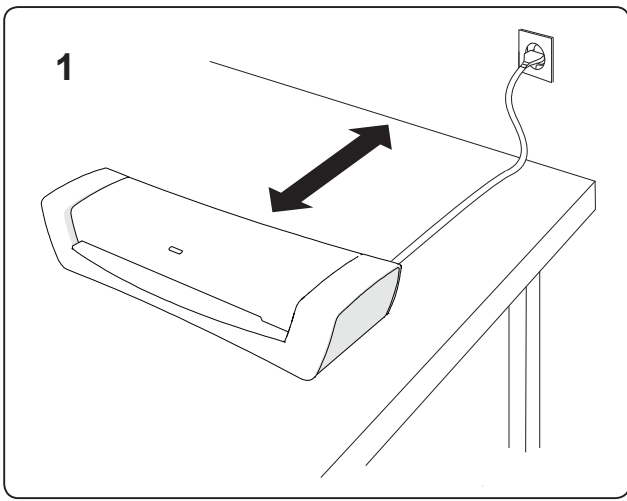
OFFICE A4/A3



Instructions for use

EN 1	DE 3	FR 5	IT 7	ES 10
PT 12	NL 14	DA 16	NO 19	SV 21
FI 23	ET 25	LV 27	LT 30	PL 32
UK 34	RU 36	KK 39	CS 41	SK 44
HU 46	RO 48	GR 51	TR 53	AR 56





Introduction

This Leitz product is intended to be used for laminating paper or similar materials. The product should only be used in household or similar environments, such as in offices and shops. The product should not be used for commercial or industrial purposes, in locations with the presence of a corrosive or explosive atmosphere or for medical purposes. The product may only be used according to the instructions as described in this manual. All use other than described in this manual is seen as unintended use.

For your safety



WARNING! Read all safety warnings and all instructions.

- Please take the time and read the general safety instructions. You can find the general safety instructions in a separate booklet. This booklet is included.
- Always ensure good aeration while laminating (e. g. open a window).
- Always unplug the device when not in use.
- Do not place anything on top of the device and do not insert anything into the venting slots.
- Never laminate with only one side of a laminating pouch.
- Never attempt to pull out the pouch before the laminating process has finished.
- Always unplug and let the device cool down before cleaning, moving or storing it. When carrying the laminator, always hold it by the recessed grips on both sides.

Setting up and switching on the laminator (① and ②)

- Set the laminator up on a stable surface (e.g. table) close to a mains outlet ①.
Ensure there is sufficient space behind the unit so the laminated item is not blocked

and can easily be removed.

- Connect mains cord with mains socket.
- Put the ON/OFF switch in the ON position ②.
- Put the temperature switch in the 'I' position for 75-80mic, 'II' for 100mic and 'III' for 125mic pouches.

Inserting the document into the pouch ③

- Insert the document into the laminating pouch. Align it to the sealed edge as much as possible and maintain even margins left and right.

Pouches that are too large can be trimmed to size after lamination.

Laminating ④

- When the POWER/READY LED indicator lights green, insert the pouch with the sealed edge first until it gets pulled in.
The laminated document automatically exits at the output side.

Letting the laminated document cool down ⑤

- Remove the laminated document and leave it on a flat surface for one minute to cool down.
- When you have no further documents to laminate, switch off the laminator.

Clearing a jammed pouch ⑥

Jamming can occur when laminating unsuitable materials.

CAUTION: To prevent any damages to the laminator, the pouch must be removed before switching off the unit.

- Move the release lever to the right and pull out the pouch immediately.
- Clean the rollers after any pouch jam as described in section "Maintenance and care".

Maintenance and care ⑦

In order to remove adhesive from inside the device, clean the rollers regularly as described here:


- Switch on the laminator. Wait until the indicator lights green.
- Fold a sheet of unused copy (80 gsm) paper.
- Insert the paper with the folded side first into the input tray 3–5 times.

To clean the housing:

- Pull out mains plug and wait for the device to cool down.
- Wipe the exterior with a soft, damp cloth and a dishwashing detergent.

Specifications

	iLAM HOME OFFICE A4/ A3	iLAM OFFICE A4/ A3
Rollers/ type	2 Rollers/ Carrier Free	2 Rollers/ Carrier Free
Speed	300 mm/min	350 mm/min
Warm-up time	Approx. 180 sec.	Approx. 90 sec.
Pouch thickness (per side)	75 – 125 µm	75 – 125 µm
Max. paper thickness	0,4 mm	0,4 mm
Entry width	A4: 230/A3: 320 mm	A4: 230/A3: 320 mm
Power supply	230 V; 50 Hz	230 V; 50 Hz
Max. power consumption	A4: 300/A3: 400 W	A4: 350/A3: 500 W

Net weight	A4: 1,3/A3: 1,45 kg	A4: 1,3/ A3: 1,55 kg
Dimensions (lxwxh)	A4: 370 x 125 x75 mm A3: 470 x 125 x 78 mm	A4: 222 x 111 x 90 mm A3: 470 x 125 x 78 mm
Subject to technical change without prior Notification		

2 year guarantee

Leitz units are sold with a 2 year guarantee. The conditions of the guarantee period are as follows:

1. Each unit is guaranteed against all defects in material and/or workmanship for a period of 2 years from the date of purchase.
2. No unit will be accepted without written notification from the customers giving details of the problem that has occurred, and proof of the date of purchase.
3. All units for repair are to be returned to Esselte with adequate packaging. No liability will be accepted by Esselte for goods damaged in transit from the customer, due to inadequate attention to packaging.
4. The supplier will be responsible for all parts and labour charges as necessary to the unit. The 2 year guarantee is subject to the following conditions:
 - That the unit has been used strictly in accordance with the operating instructions supplied with the unit.
 - That if the benefit of this guarantee is sought, the unit must be returned, carriage paid to Esselte. Esselte does not accept responsibility for loss or damage in transit.
 - That the guarantee is invalid if the defects are found to be caused by accident, misuse, alteration or neglect.
 - That no liability of Esselte is to be implied here for damage, loss or